

The OPL 9736 is very small (125x42x19mm by dimensions and 85g by weight) and equipped with a clearly visible trigger button on top. Its low power consumption and easy connection to a hosting device make sure that this scanner is ready for use in any required application.

1D laser

# OPL 9736

Laser scanner



## Features

- Laser scan engine
- Trigger button on top
- Small size and light weight
- Different interfaces available

## Benefits

- Enables touch- and variable distance reading
- Plain and simple use
- Light in operational use
- Easy connectivity RS232, Keyboard Wedge, USB

Cabled

Wireless

Stationary

OEM

**OPTICON**  
always scanning for new ID's

# Specifications

## OPL 9736 Laser scanner

### Electrical specifications

Voltage requirement	5 V $\pm$ 10%
Current consumption	max. 100 mA
Idle current	max. 20 mA (reader connected, but not triggered)

### Optical specifications

Light source	650 nm visible laser diode
Scan method	vibrating mirror
Scan rate	100 scans/sec
Decode rate	100 decodes/sec
Reading pitch angle	+8 - +50°, -8 - -50°
Reading skew angle	$\pm$ 25°
Reading rotation angle	20°
Reading width	45 - 305 mm, depending on reading distance and bar code label resolution
Min. Resolution at PCS 0.9	0.15 mm (6 mil)
Min. PCS value	0.45
Depth of field	60 - 365 mm (UPC PCS0.9, resolution 1.00), 40 - 220 mm (UPC PCS0.9, resolution 0.5), 35 - 145 mm (UPC PCS0.9, resolution 0.25), 35 - 75 mm (UPC PCS0.9, resolution 0.15)

### Identification

Supported barcode symbologies	Chinese Post - Codabar ABC and CX - Code 39 - Code 39 Full ASCII - Code 93 - Code 128 - EAN-8 incl. +2,+5 - EAN-13 incl. +2,+5 - EAN-128 - IATA - ISBN - ISSN - Industrial 2of5 - Interleaved 2of5 - Italian Pharmaceutical - Matrix 2of5 - MSI/Plessey - UK/Plessey - Telepen - TriOptic - S-Code - UPC-A incl. +2,+5 - UPC-E incl. +2,+5
-------------------------------	--

### Functionality

Trigger mode	manual
Configuration	over 300 parameters can be set by RS232 or menu book
Available interfaces	Keyboard Wedge: XT/AT and PS2, RS232, USB

### Environmental specifications

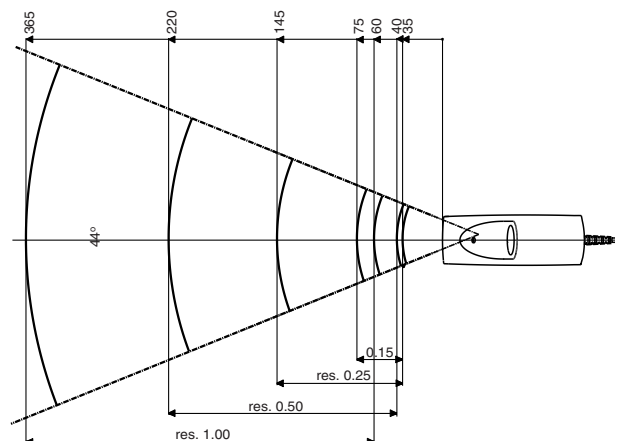
Temperature in operation	0 - +40 °C
Temperature in storage	-10 - +60 °C
Humidity in operation	20 - 80 % (non condensing)
Humidity in storage	20 - 90 % (non condensing)
Ambient fluorescent light	3.000 lux max.
Ambient white light	3.000 lux max.
Ambient incandescent light rejection	50.000 lux max.
Shock drop test	1.5 m drop onto concrete surface
Shock vibration test	12 - 100 Hz with 2G for 1 hour

### Physical specifications

Dimensions	(l x w x d) 125 x 42 x 19 mm
Case material	ABS
Weight body	< 85 g (excl. cable)
Cable length	2 mtr straight
Connector Keyboard Wedge	MiniDIN 6
Connector RS232	DB9 F with external power
Connector USB	USB-A

### Regulatory

Laser safety class	IEC 825, Class I laserproduct
EMC	EN 55022, EN 55024



Copyright Opticon Sensors Europe B.V. All rights reserved. This information is subject to change without prior notice. Printed 1/28/04